



# ROUSSEAU METAL

## YOUR COMPLETE SOLUTION



**COMMANDER  
WAREHOUSE  
EQUIPMENT LTD.**

**PARTS & SERVICE**  
AUTOMOTIVE STORAGE EQUIPMENT  
FOR YOUR CAR DEALERSHIP



**SERVICE DEPARTMENT**

# TEKZONE WORKSTATION HUTCH





# ROUSSEAU METAL

## YOUR COMPLETE SOLUTION



**COMMANDER  
WAREHOUSE  
EQUIPMENT LTD.**

**PARTS & SERVICE**  
AUTOMOTIVE STORAGE EQUIPMENT  
FOR YOUR CAR DEALERSHIP

SERVICE DEPARTMENT

# TEKZONE WORKSTATION HUTCH

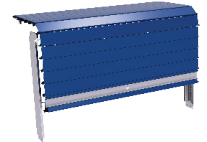
# TEKZONE WORKSTATION HUTCH

SECURITY - FLEXIBILITY - EFFICIENCY



With the TekZone workstation hutch, you can create a personalized and organized workspace.

- The work area it provides is spacious and well lit. Each TekZone Hutch is equipped with an LED light with motion sensor so the workspace lights up as soon as you open the door.
- A wide range of accessories helps you to stay tidy by freeing up the work surface while keeping your essential tools close at hand.
- The ingenious door mechanism allows you to open and close the hutch easily, smoothly and safely. With the full-width handle, you can open the door with any hand position. The door is fitted with a lock to secure the contents of the hutch.



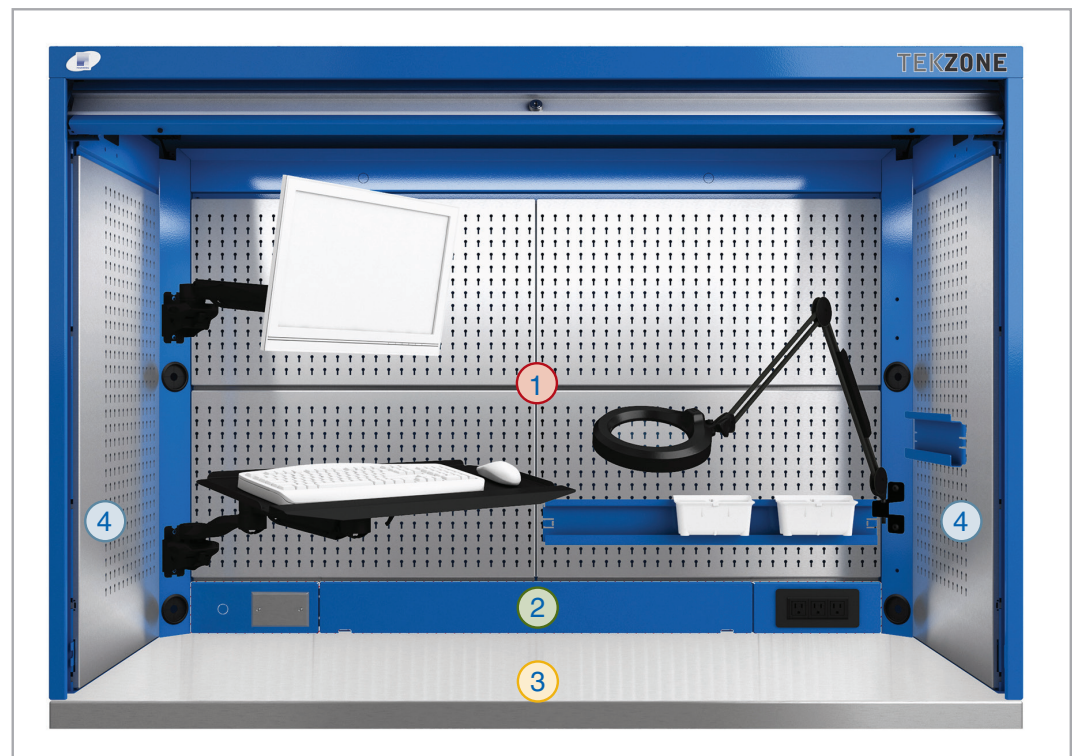
## 4 easy steps

You can quickly and easily configure your own layout in just four steps.

### Open/Closed View



TZ-C044S

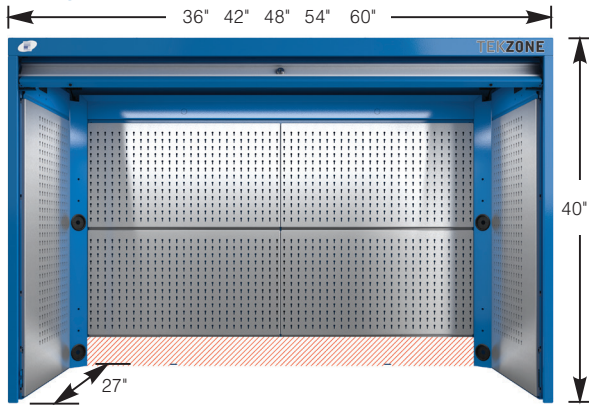




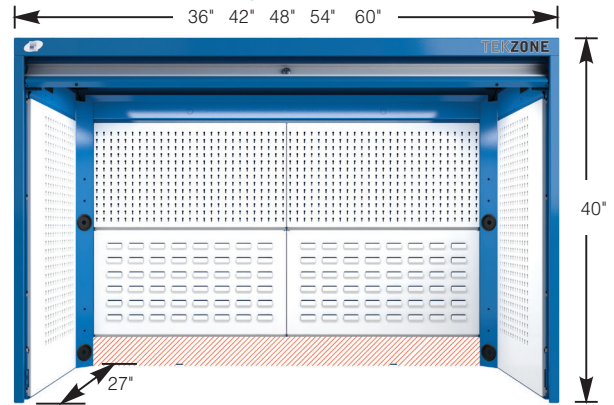
# TEKZONE WORKSTATION HUTCH

## 1 Dimensions and Panel Types

### Utility Panels



### Plastic Bin and Utility Panels



36" = E 42" = G 48" = H 54" = J 60" = K  
 Painted steel: P  
 Stainless steel: S  
 TZ-U\_ G40U002\_L3 Specify the desired width and finish: painted steel (P) or stainless steel (S).

36" = E 42" = G 48" = H 54" = J 60" = K  
 Painted steel: P  
 TZ-U\_ G40X002PL3 Specify the desired width.

## 2 Power Feed and Cover Panel

### 3 outlets – 12A



TZ-M0\_ \_ T4\_

### 3 outlets – 12A, 2 USB ports



TZ-M0\_ \_ T2\_

### 3 outlets – 12A, knockout and perforation



TZ-M0\_ \_ T1\_

### 3 outlets – 12A, 2 USB ports, knockout and perforation



TZ-M0\_ \_ T3\_

### Cover panel NEW PROPOSAL

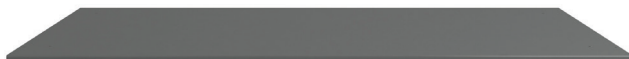


TZ-M0\_ \_ 00\_

Width: 36", 42", 48", 54" and 60"  
 Painted steel: P  
 Stainless steel: S  
 TZ-M0\_ \_ T4\_ Specify the desired width and finish: painted steel (P) or stainless steel (S).

## 3 Choice of Top

### Thin painted steel top



RH10\_ \_ 27 For R cabinets

### 1 3/4" painted steel top



RC37- \_ \_ \_ -02 For R cabinets or GT

### Protective mat (top to be ordered separately)



RH90- \_ \_ \_ 3/16" oil resistant nitrile  
 RH91- \_ \_ \_ 1/8" neoprene

### Thin stainless steel top



RH11- \_ 27 For R cabinets

### 1 3/4" stainless steel top



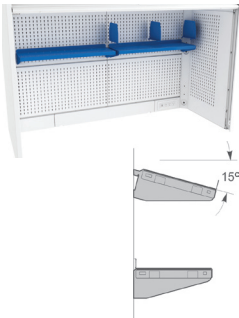
RC35- \_ \_ \_ -02 For R cabinets or GT workstations

Widths: 36", 42", 48", 54" and 60"  
 Depths: 27" and 30"  
 Ex.: RH90-60 27 Specify the desired width and depth as required.



# TEKZONE WORKSTATION HUTCH

## 4 Accessories

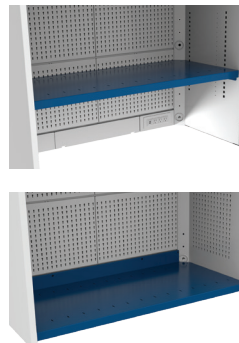


### Shelf and Dividers

- Attaches to rear utility panels at the desired height;
- Can be installed at a right angle or angled 15°;
- Shelf is reversible and the edge can be used as a back stop or support for plastic bins and ring binders;
- 100 lb. capacity (evenly distributed weight);
- Accepts SH52-1206 dividers every 2" c/c;
- Width compatibility:  
36" and 42" hutches: full-width shelf  
48", 54" and 60" hutches: half-width shelf.

Product #	Width	Compatibility
RH60-24	20"	1/2 shelf for 48"W hutch
RH60-27	23"	1/2 shelf for 54"W hutch
RH60-30	26"	1/2 shelf for 60"W hutch
RH61-36	29"	Shelf for 36"W hutch
RH61-42	35"	Shelf for 42"W hutch
SH52-1206		Divider

Note: Add 08 to the product number for an 8" deep shelf and 12 for a 12" deep shelf.



### Middle Shelf and Bottom Shelf



- Full-length and full-depth shelf;
- 200 lb. load capacity (evenly distributed weight);
- Compatible with SH52-2106 dividers in 3" increments c/c;
- Compatible with RH20 and RH21 utility panels; however, the area opposite the shelf is unusable;
- Not compatible with rear panels RH22/RH23 for plastic bins;

#### RH64, middle shelf:

- Attaches to RH35 side panels only;
- To add to a preconfigured TZ model, replace side panels with RH35;
- Not compatible with the following side panels: RH32 plastic bins, RH30/RH31 utility panels and RH28/RH29 finishing panels;

#### RH65, bottom shelf:

- The top (page 37) is required for coupling the hutch and the cabinet underneath;
- Note: RH36 to RH41 power feed and cable management panels cannot be used with the bottom shelf.

Product #	Width	Actual depth
RH_-3627	36"	20 7/16"
RH_-4227	42"	20 7/16"
RH_-4827	48"	20 7/16"
RH_-5457	54"	20 7/16"
RH_-6027	60"	20 7/16"

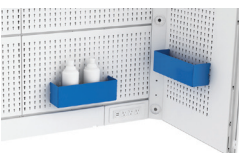
Note: Add 64 to the product number for a middle shelf and 65 for a bottom shelf.



### Sloped Top

- Keeps the workspace clean and safe while reducing clutter;
- Fits perfectly into the "5S" storage method;
- 8" high.

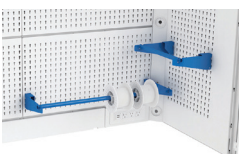
Product #	W x D
RH89-362708	36" x 27"
RH89-422708	42" x 27"
RH89-482708	48" x 27"
RH89-542708	54" x 27"
RH89-602708	60" x 27"



### Can Holder

- Attaches to utility panels at the desired height;
- Ideal for storing cans and other containers of different sizes;
- Compatible with side and rear panels;
- 3" deep and 4" high.

Product #	Width
WM9D-12	12"



### Wire Spool and Roll Holders

- Attaches to utility panels at the desired height;
- Ideal for wire spools or paper towel rolls;
- Tube diameter: 3/4";
- Capacity: 50 lb.

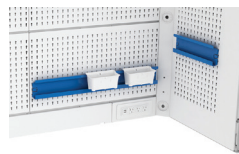
Product #	Width	Use
WM9P-1201	12"	for 27"D side panels
WM9P-2001	20"	for 48"W hutch rear half panels
WM9P-2301	23"	for 54"W hutch rear half panels
WM9P-2601	26"	for 60"W hutch rear half panels for 36" and 42"W hutch rear panels



### Charger Shelf

- Attaches to rear utility panels at the desired height;
- 25" usable width accommodates several chargers at once;
- Comes with a non-slip mat;
- Includes a built-in bar with 6 outlets (15A/120V, with switch, circuit breaker and 15' power cord);
- Includes storage space for cable management.

Product #	Width
RH54-26	26"

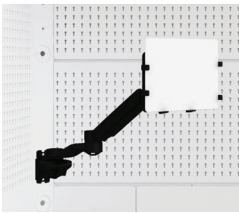


### Plastic Bin Holder

- Attaches to utility panels at the desired height;
- Ideal for storing small parts in plastic bins;
- Compatible with RG20 plastic bins (sold separately).

Product #	Width	Use
WM9C-12	12"	for 27"D side panels
WM9C-20	20"	for 48"W hutch rear half panels
WM9C-23	23"	for 54"W hutch rear half panels
WM9C-26	26"	for 60"W hutch rear half panels for 36" and 42"W hutch rear panels

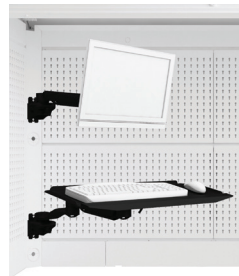
# TEKZONE WORKSTATION HUTCH



## Tablet Support

- Supports most tablets on the market;
- Keeps your tablet safe;
- Rubber surface protects device from scratches;
- The small version is compatible with tablets between 7 5/8" and 10" wide;
- The large version is compatible with tablets between 9 7/8" and 12 1/4" wide.

Product #	
WM06-62-01	Small
WM06-62-02	Large



## Support for LCD Monitor, Keyboard and Mouse

- Tray's usable area for keyboard and mouse 23 5/8"W x 8 1/2"D;
- Supports most LCD monitors on the market (21" max);
- VESA 75 and 100 compliant monitor mounting.

Product #	Use
WM06-22	Kit
WM06-02	Single articulating arm for the computer monitor
WM06-32	Double articulating arm for keyboard and mouse tray



## Laptop Support

- Tray's usable area: 14"W x 12"D;
- Tray comes with self-gripping tape (Velcro™) to keep laptop in place.

Product #	
WM06-42	



## Screen Support

- Supports a screen compliant with the VESA 75 and 100 standards;
- Includes a central cut-out for cable management from the rear of the support;
- Two positions: straight or angled 10° forward to reduce reflections.

Product #	
RH52-15	



## Lamp with Magnifier and Fluorescent Light

- Diopter: 3 (1.75X magnification);
- Requires lamp support RH50.

Product #	Use
RH50-01	Lamp support
70000635	Lamp with magnifier and fluorescent light



## Keyboard Tray

- Attaches to rear hanging panels at the desired height;
- Unique and heavy-duty design with palm rests;
- 25" wide for using a keyboard and mouse;
- Comes with a non-slip mat.

Product #	
RH53-25	

## TEKZONE: KEEPING YOUR WORKSPACE ORGANIZED AND YOUR TOOLS SECURE



TZ-C010P



TZ-C020X



TZ-C004X



TZ-C038S



TZ-C012S - Open door



TZ-C012S - Closed door