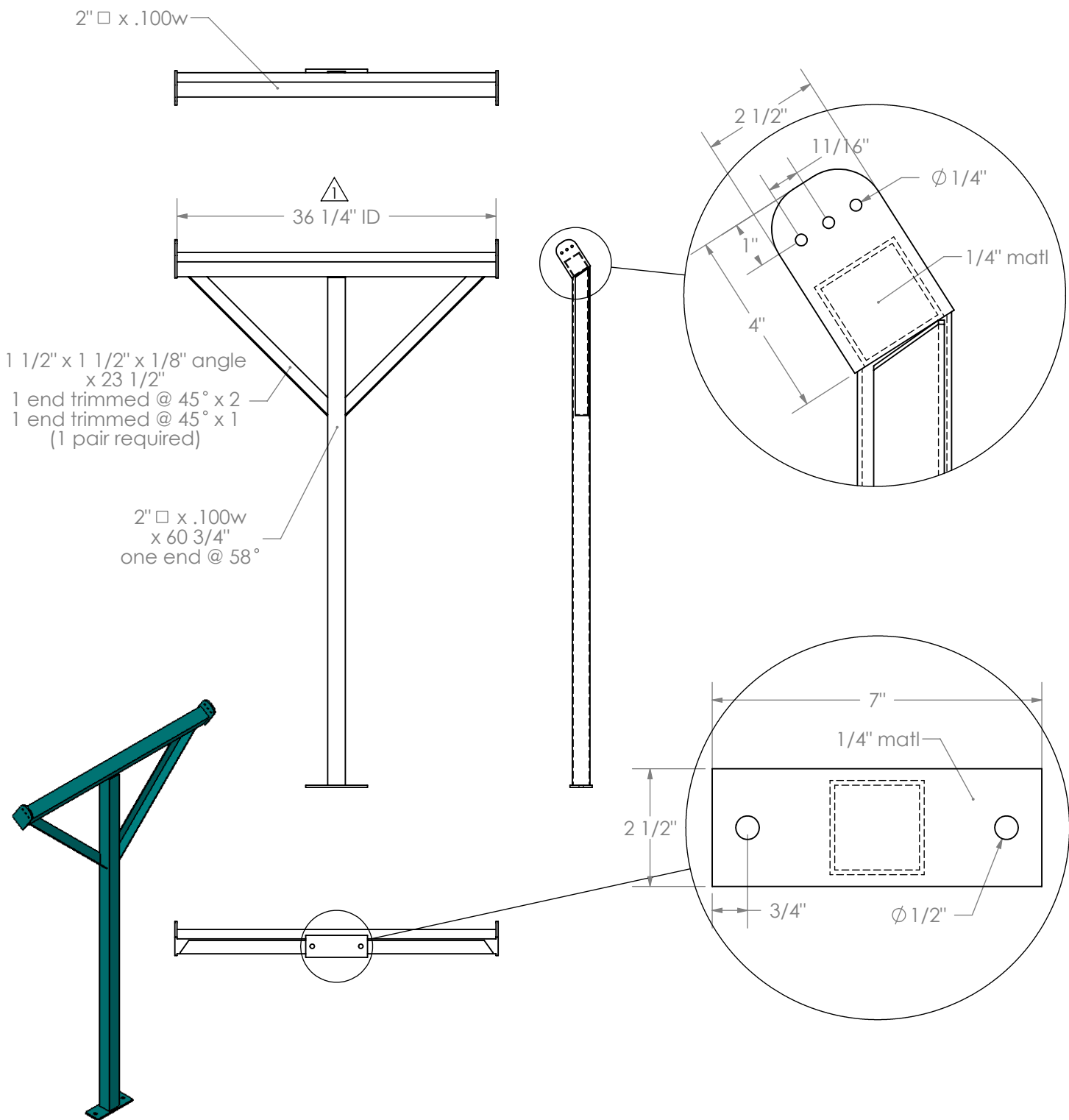


REVISIONS				
ZONE	REV.	DESCRIPTION	DATE	APPROVED
	1	dimension changed	12/4/7	



PROPRIETARY AND CONFIDENTIAL
 THE INFORMATION CONTAINED IN THIS DRAWING IS THE SOLE PROPERTY OF Unitran Manufacturers Ltd. ANY REPRODUCTION IN PART OR AS A WHOLE WITHOUT THE WRITTEN PERMISSION OF Unitran Manufacturers Ltd. IS PROHIBITED.

DIMENSIONS ARE IN INCHES
 TOLERANCES:
 FRACTIONAL ± 1/32"
 ANGULAR: MACH ± .5 BEND ± .5
 TWO PLACE DECIMAL ± .010
 THREE PLACE DECIMAL ± .005
 UNLESS OTHERWISE STATED

MATERIAL
 DO NOT SCALE DRAWING

	NAME	DATE
DRAWN	Dean S.	4/14/5
CHECKED		
ENG APPR.	W. Lee	4/13/5
MFG APPR.		

COMMENTS:

Unitran Manufacturers

**SS16 - SS20
Support Brace**

PART NO.	891/SSB	DWG. NO.	U-0285	REV.	1
SCALE:	WEIGHT:	SHEET 1 OF 1			