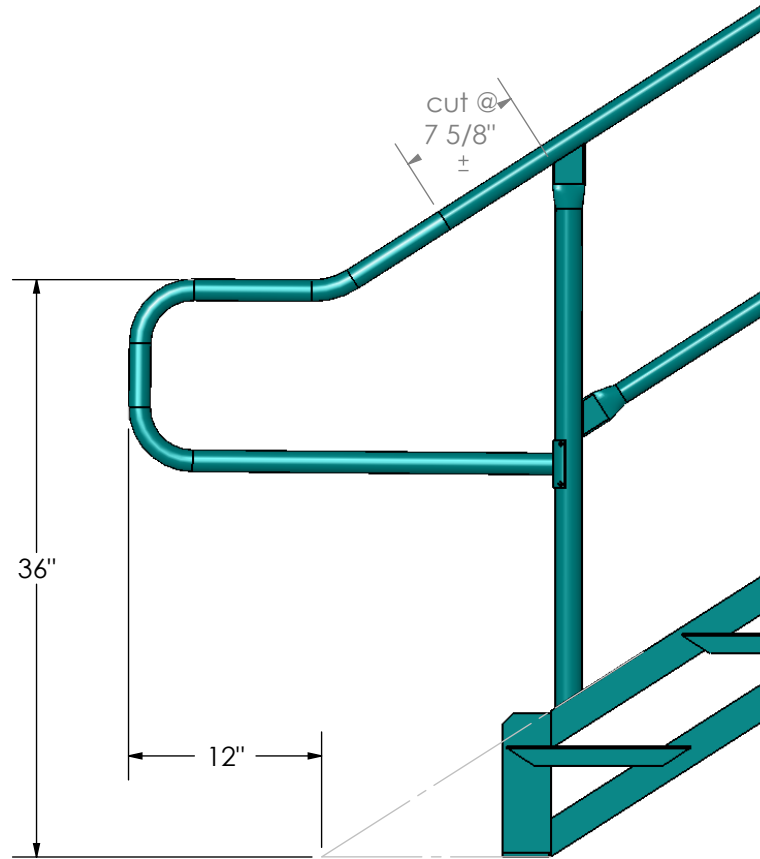
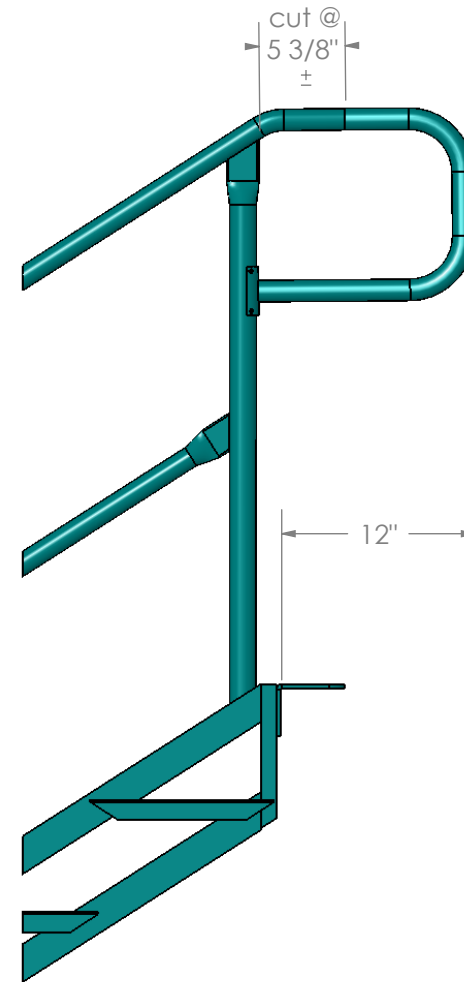


		REVISIONS			
ZONE	REV.	DESCRIPTION		DATE	APPROVED



**DOUBLE-CHECK
MEASUREMENTS
BEFORE
CUTTING**



PROPRIETARY AND CONFIDENTIAL
THE INFORMATION CONTAINED IN THIS DRAWING IS THE SOLE PROPERTY OF Unitran Manufacturers Ltd. ANY REPRODUCTION IN PART OR AS A WHOLE WITHOUT THE WRITTEN PERMISSION OF Unitran Manufacturers Ltd. IS PROHIBITED.

DIMENSIONS ARE IN INCHES
TOLERANCES:
FRACTIONAL $\pm 1/32"$
ANGULAR: MACH $\pm .5$ BEND $\pm .5$
TWO PLACE DECIMAL $\pm .010$
THREE PLACE DECIMAL $\pm .005$
UNLESS OTHERWISE STATED

MATERIAL

DO NOT SCALE DRAWING

	NAME	DATE
DRAWN	Dean S.	5/14/7
CHECKED		
ENG APPR.		
MFG APPR.		

COMMENTS:
**cut placements
are
approximate**

Unitran Manufacturers
**Cut Placement
for
Extension Addition**

PART NO.	DWG. NO. U-0538	REV.
SCALE:	WEIGHT:	SHEET 1 OF 1