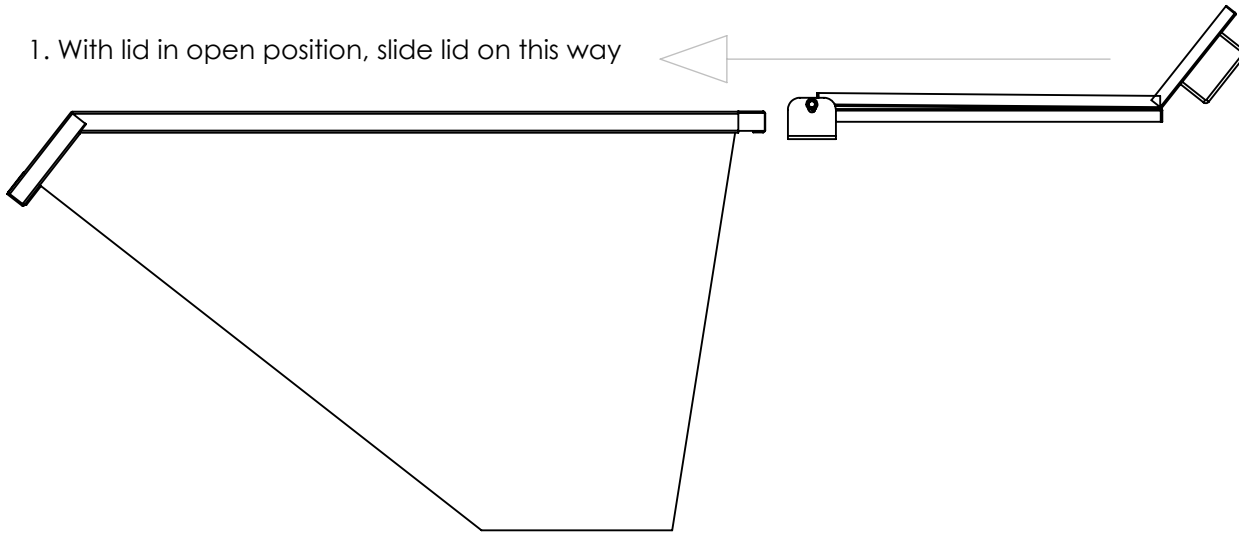
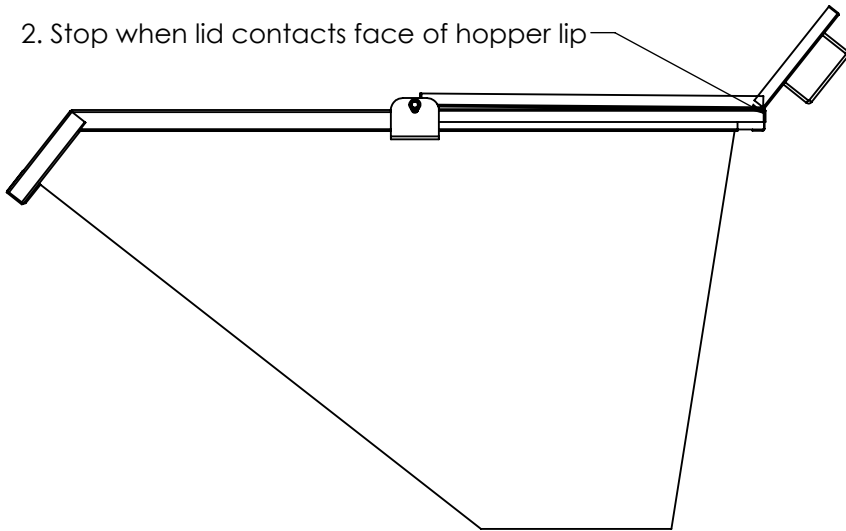


STANDARD HOPPER LID

1. With lid in open position, slide lid on this way



2. Stop when lid contacts face of hopper lip



3. Close lid and lift brackets to contact underside of lip and secure with teck screws

